

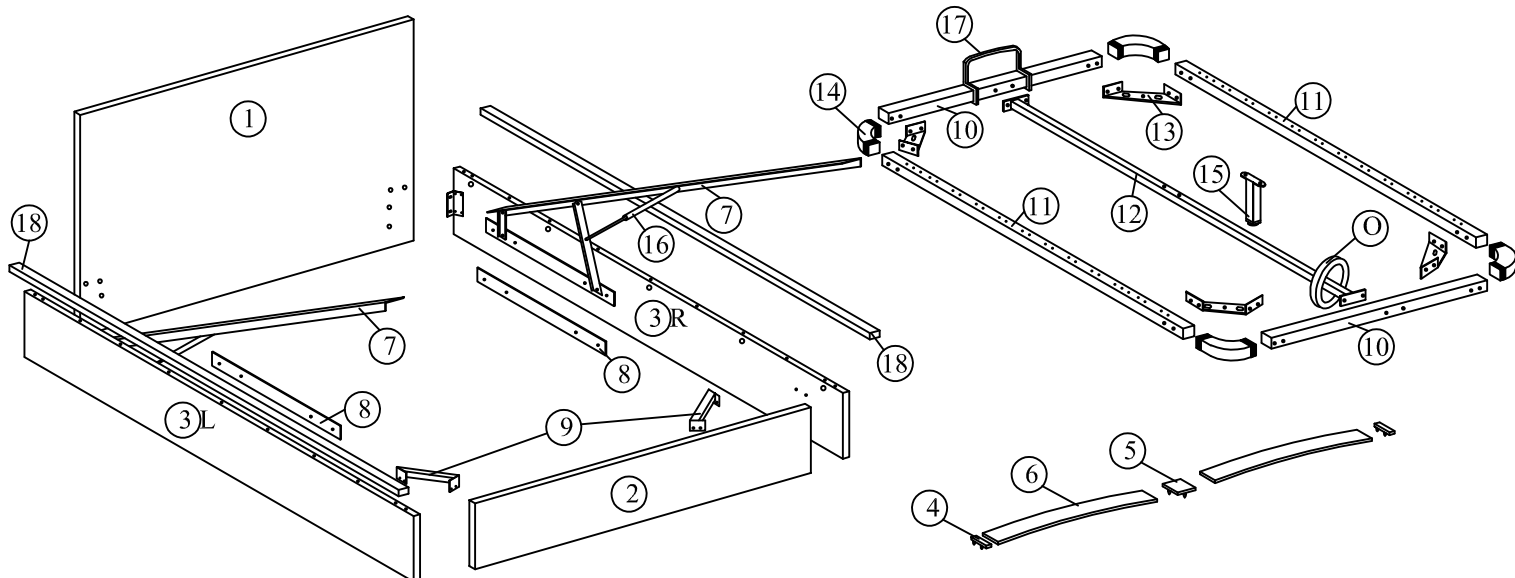
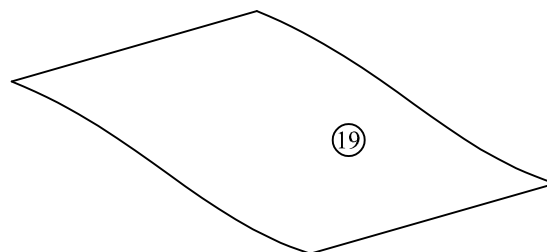
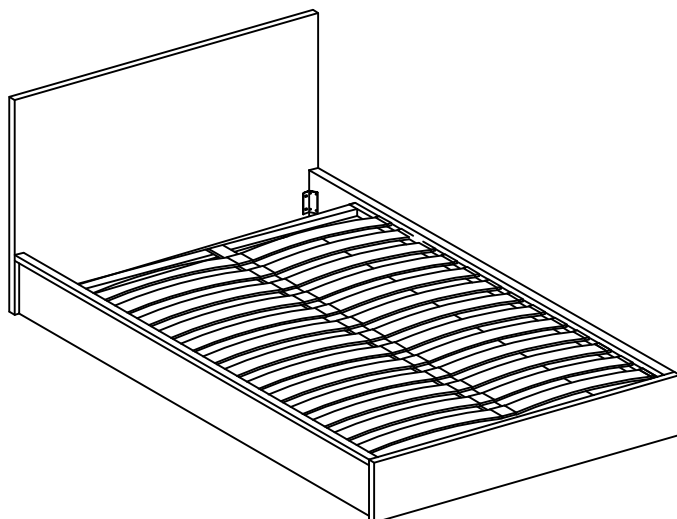
Assembly Instructions

Model : BED 8004 (4')

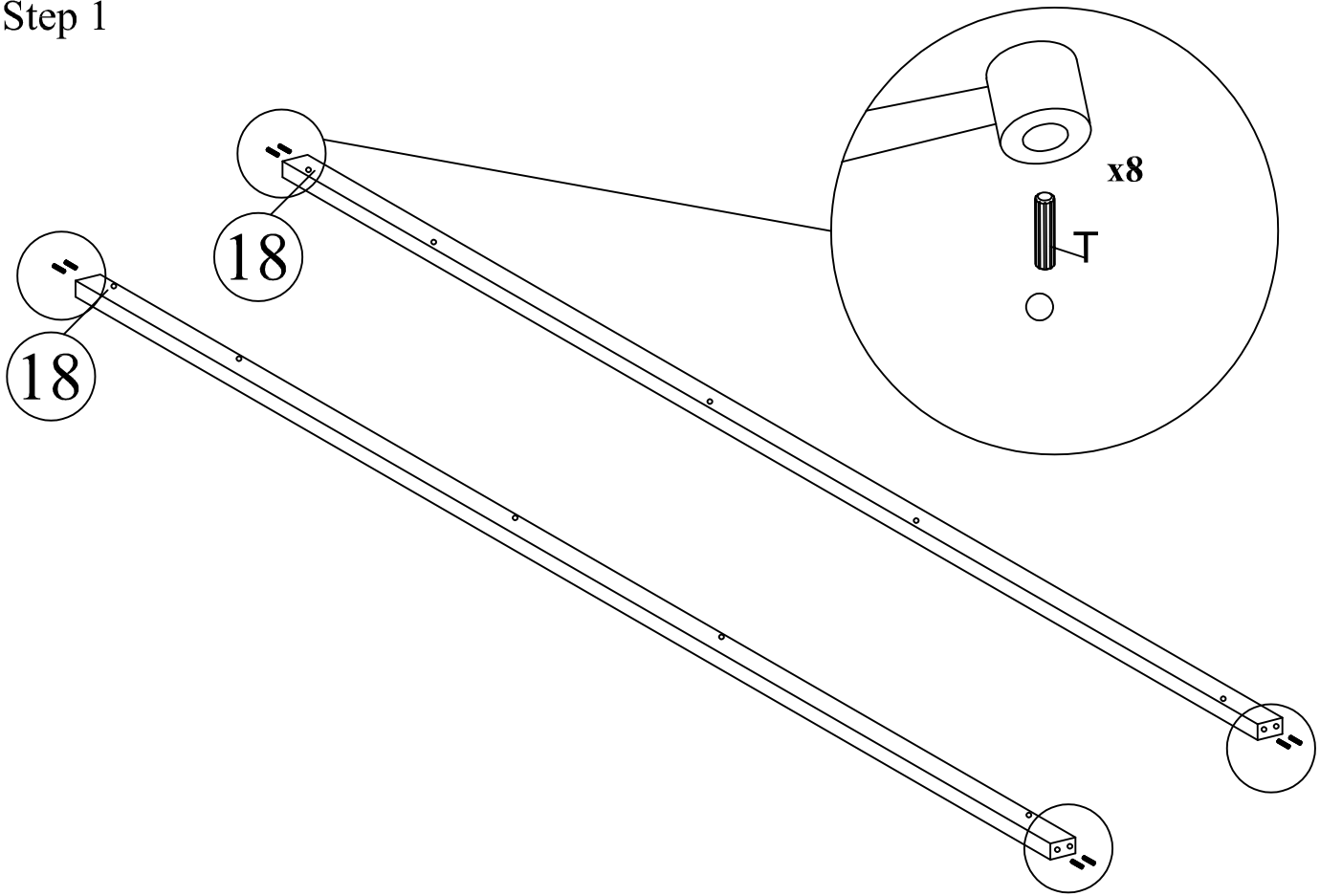
Part List	QTY
1 Headboard	1
2 Footboard	1
3 Side Rail L/R	2
4 End Holder	24
5 Middle Holder	12
6 Slats	24
7 Pump Mounting Bracket	2
8 Bracket Base	2
9 FB/SR Angle Bracket	2
10 Main Frame (Front/End)	2
11 Main Frame Side	2
12 Center Rail	1
13 Metal Corner Bracket	4
14 Rubber Corner Connector	4
15 Support Leg	1
16 Gas Spring	2
17 Stopper	1
18 Side Rail Support	2
19 Black Woven	1

Hardware List	QTY
A M6 x 20 mm JCBC Black	8
B M6 x 40 mm JCBC Black	8
C M6 x 50 mm JCBC Black	18
D JCBB M8 x 50 mm Black	10
E M6 Spring Washer Black	52
F M6 Flat Washer Black	52
G M6 Hex Nut Black	18
H M8 Spring Washer Black	20
I M8 Flat Washer Black	20
J M8 Hex Nut Black	10
K Allen Key M4	1
L Allen Key M5	1
M M6 Spanner	1
N M8 Spanner	1
O Frame Lifter	1
P Adjuster	1

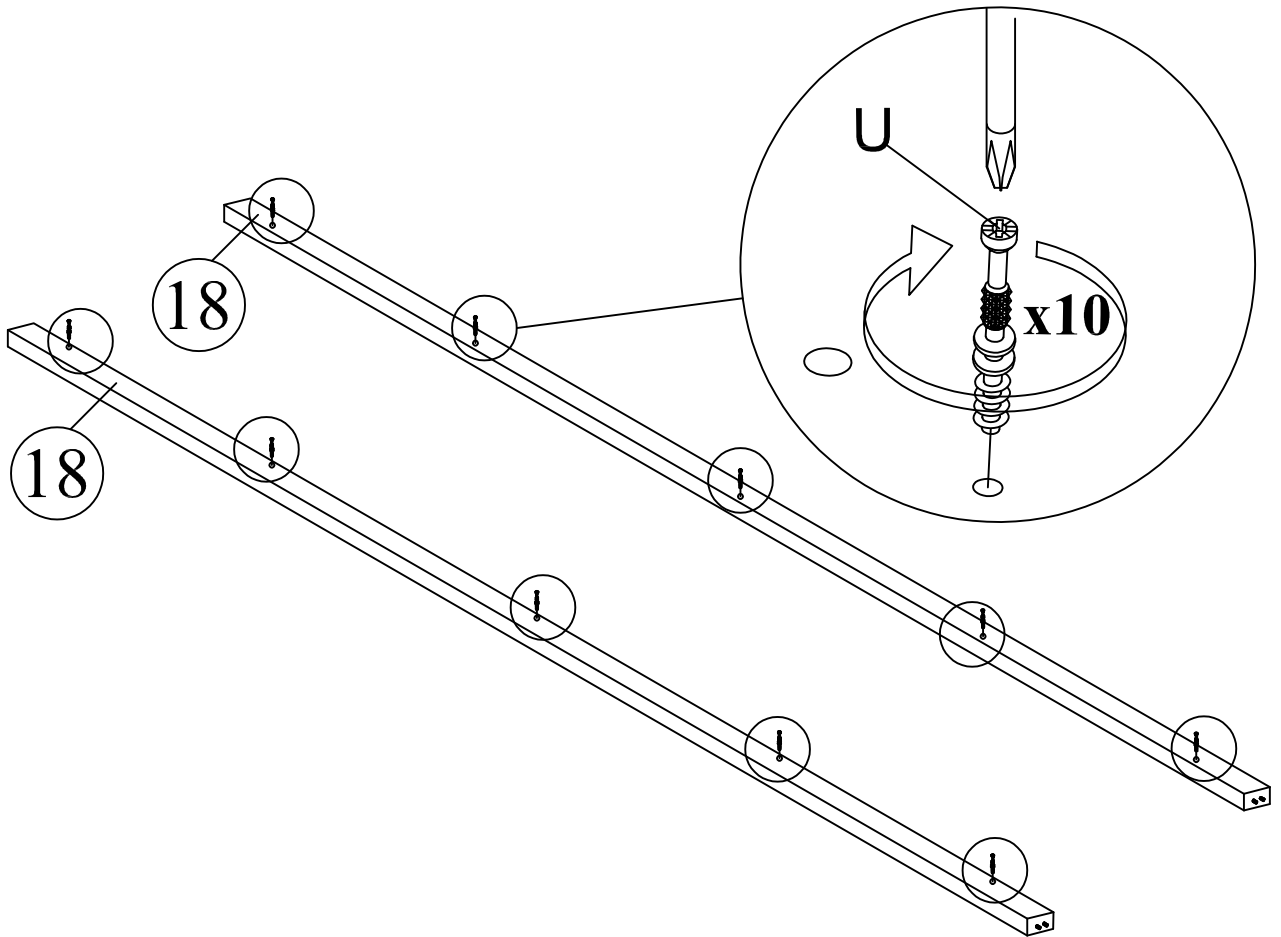
Q JCBC M6 x 20 mm Rainbow	8
R White Nail	8
S M6 Flat Washer Rainbow	8
T Dowel	8
U Minifix Bolt	10
V Minifix Housing	10
W Minifix Cap	10



Step 1

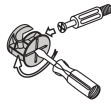


Step 2

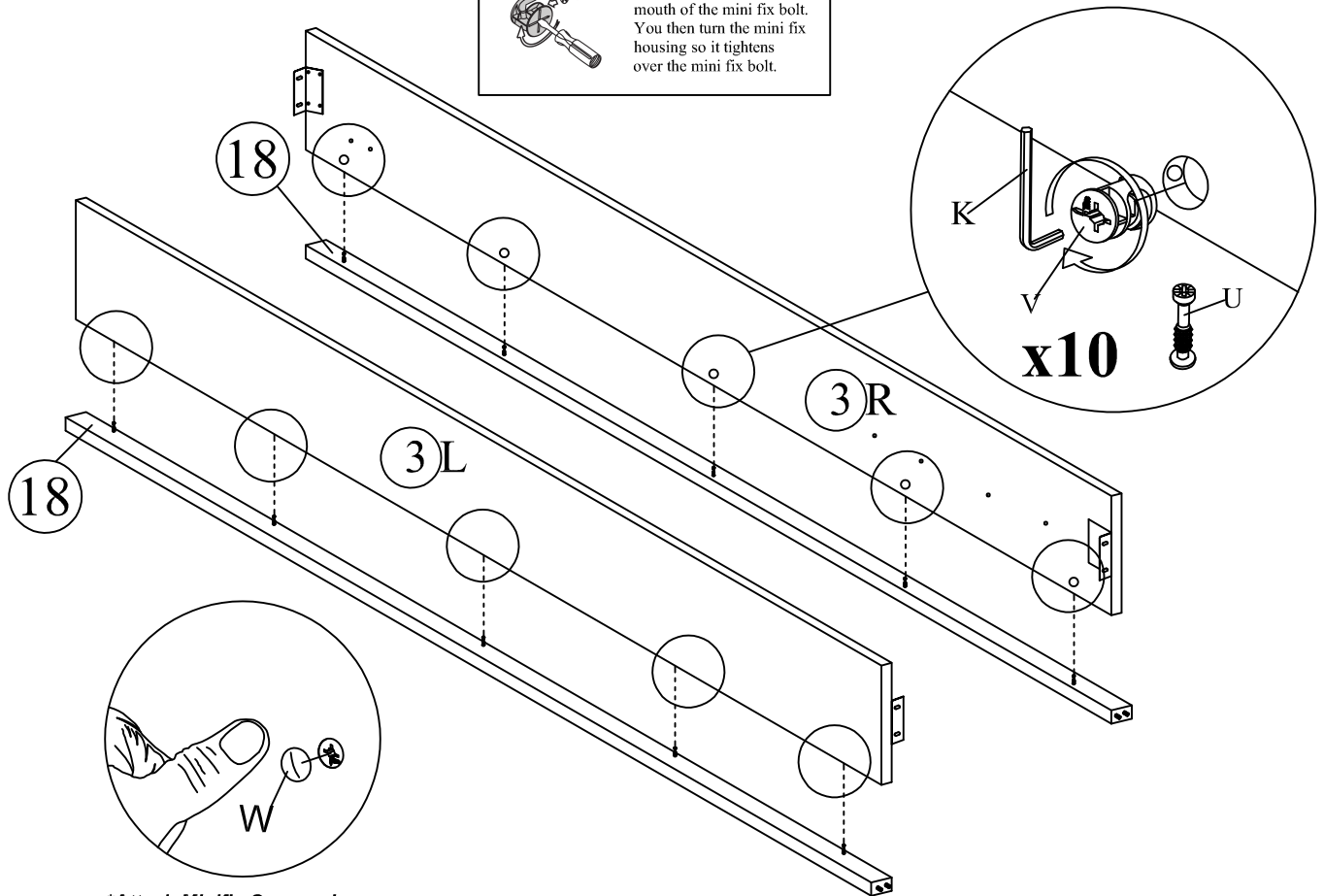


Step 3

This is how a mini fix works...

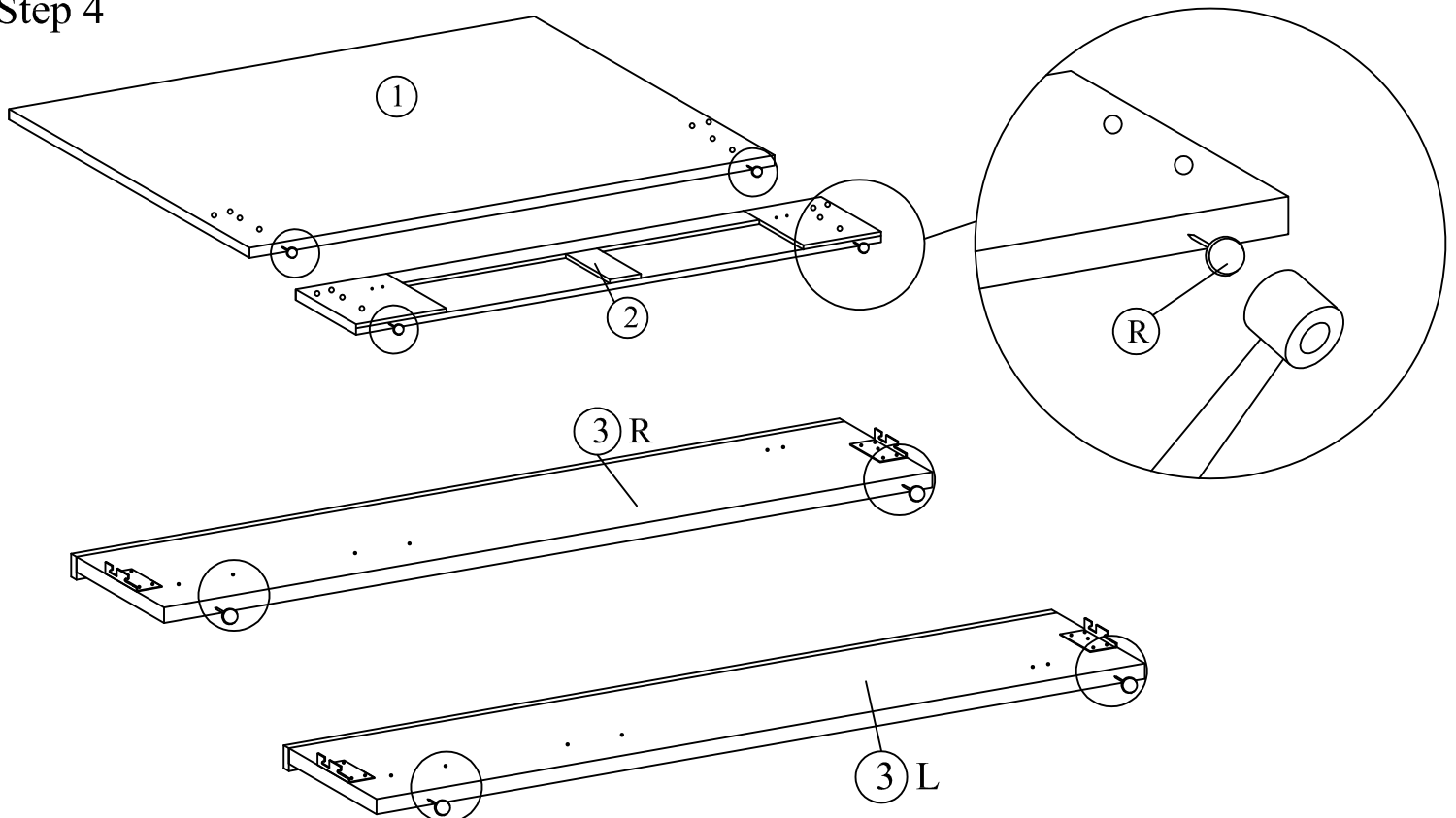


The head of the mini fix housing goes into the open mouth of the mini fix bolt. You then turn the mini fix housing so it tightens over the mini fix bolt.



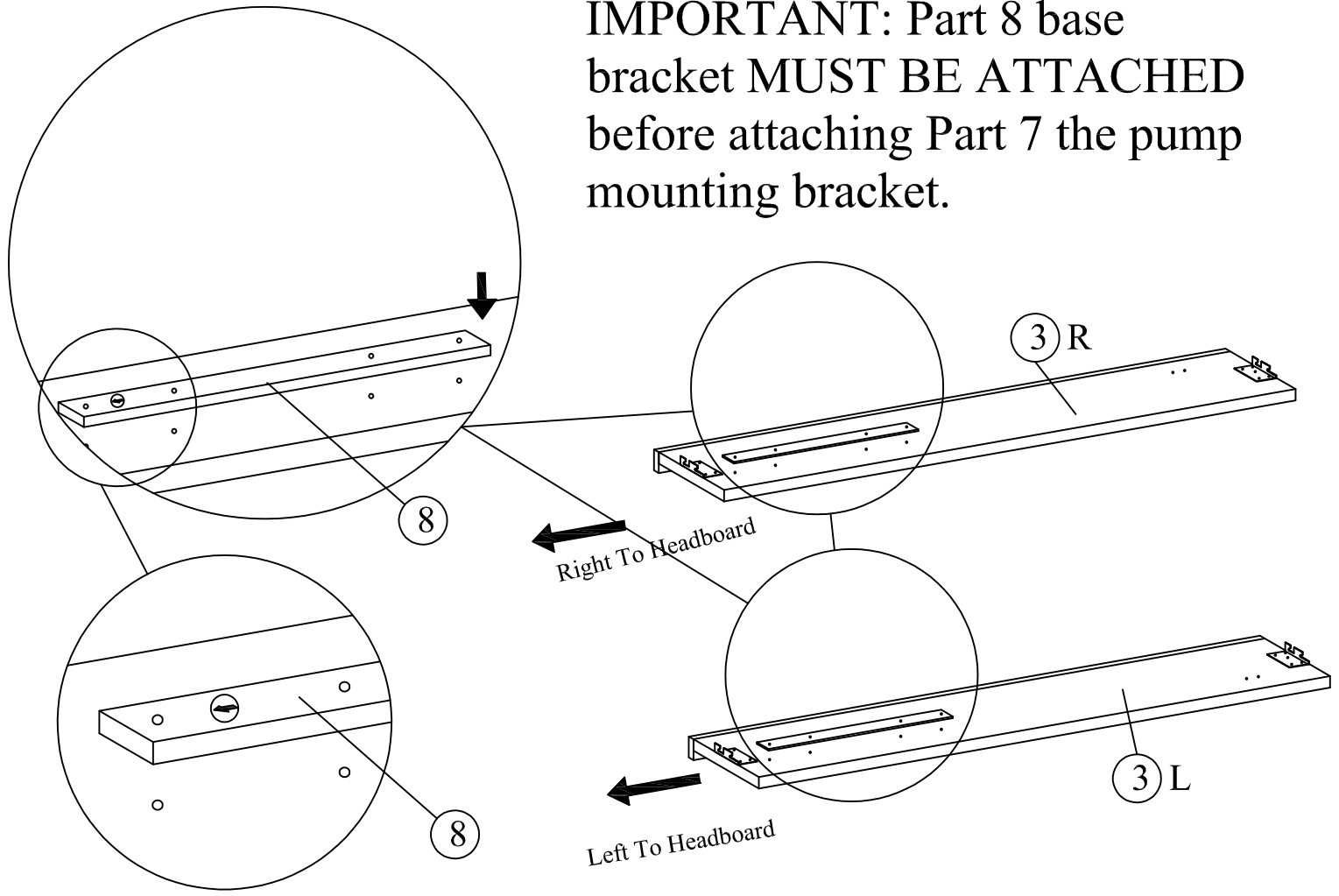
**Attach Minifix Cap as shown.*

Step 4

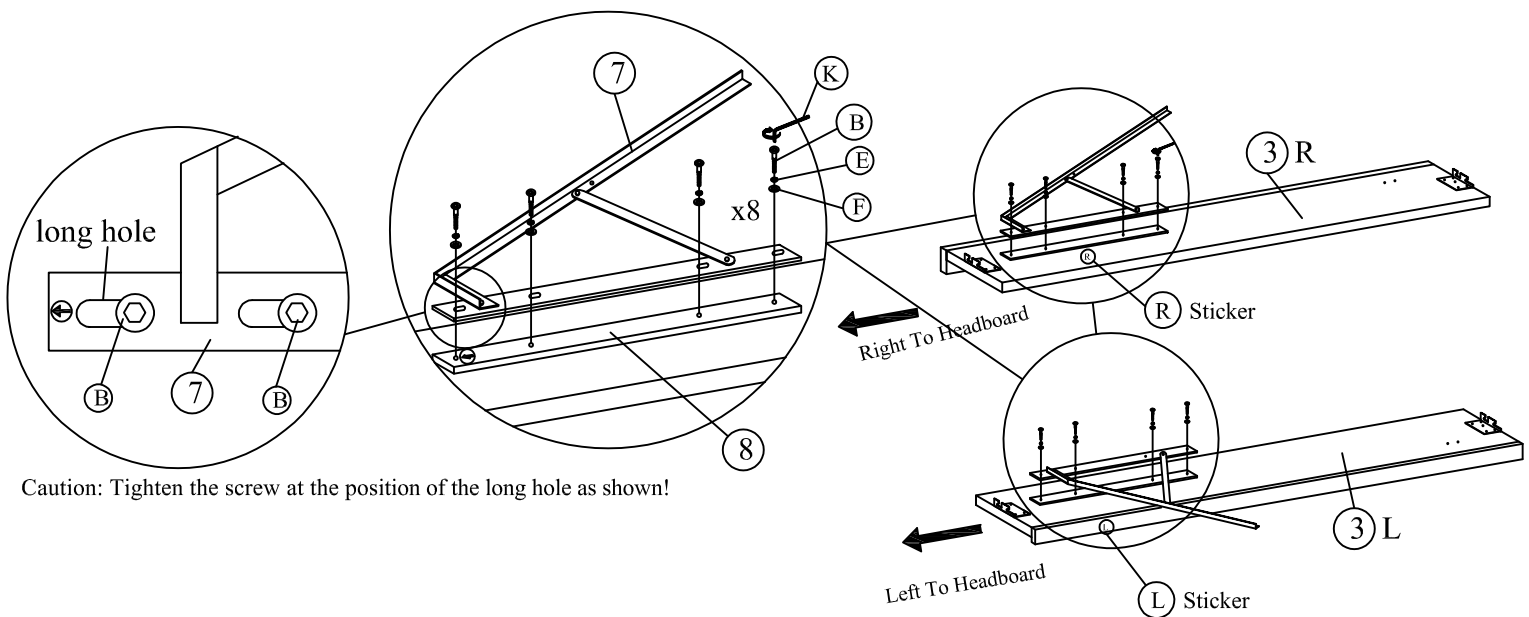


Step 5

IMPORTANT: Part 8 base bracket MUST BE ATTACHED before attaching Part 7 the pump mounting bracket.

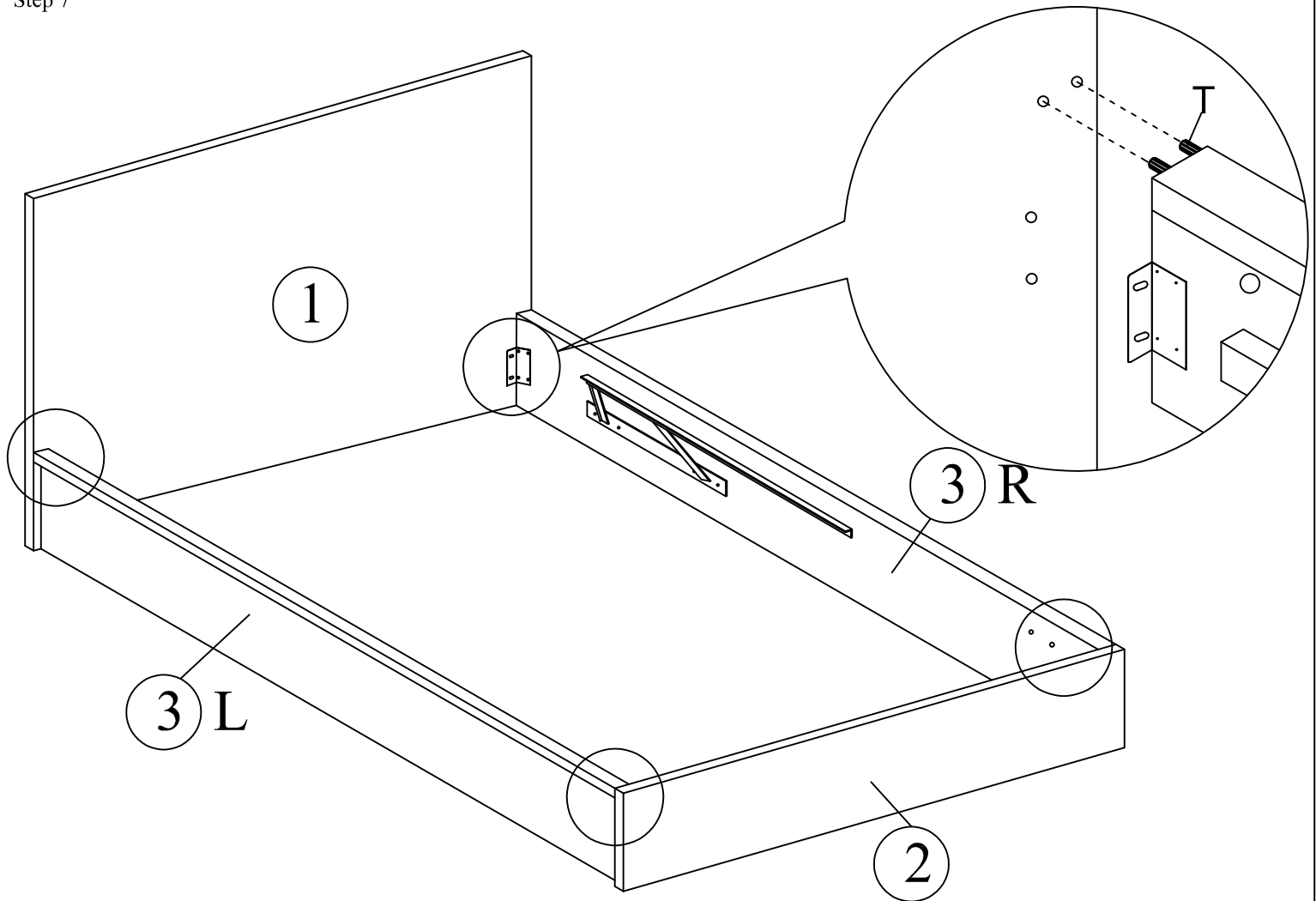


Step 6

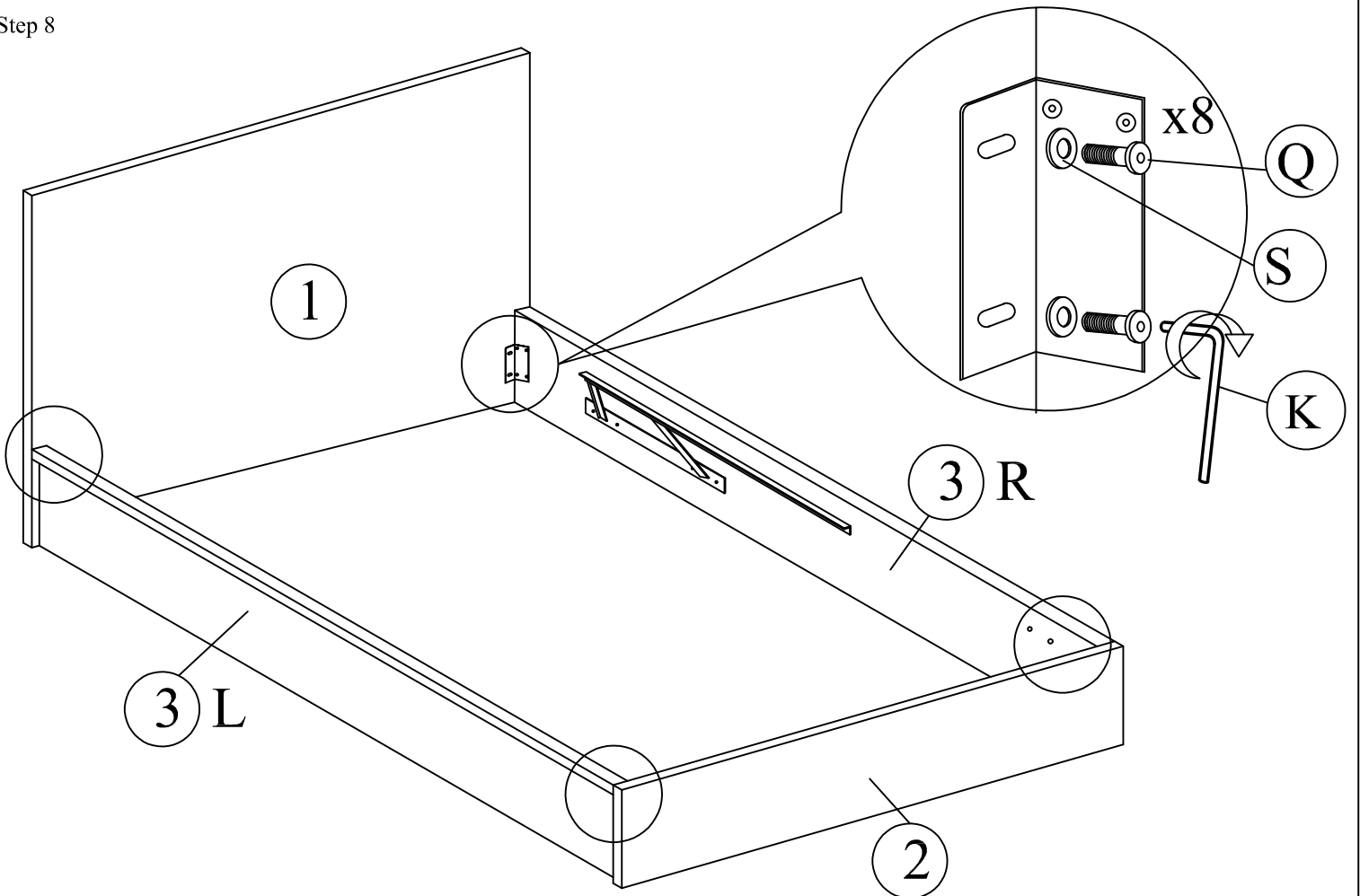


Caution: Tighten the screw at the position of the long hole as shown!

Step 7

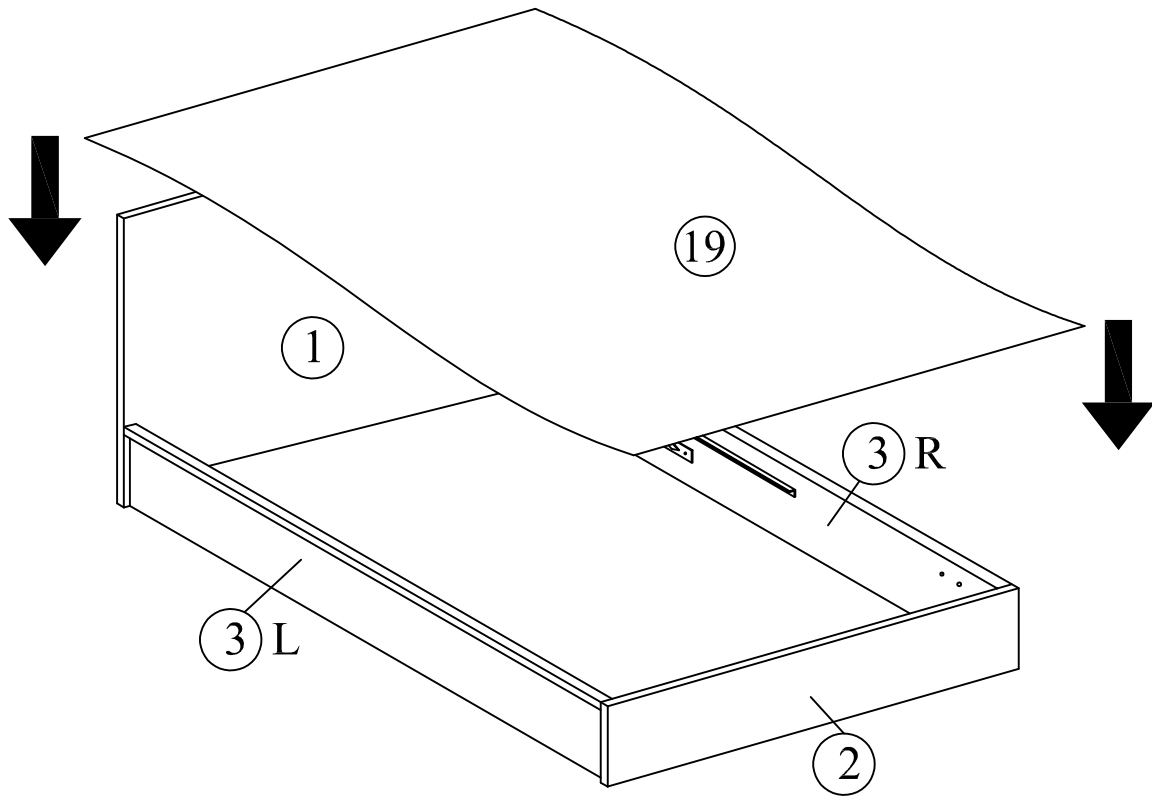


Step 8

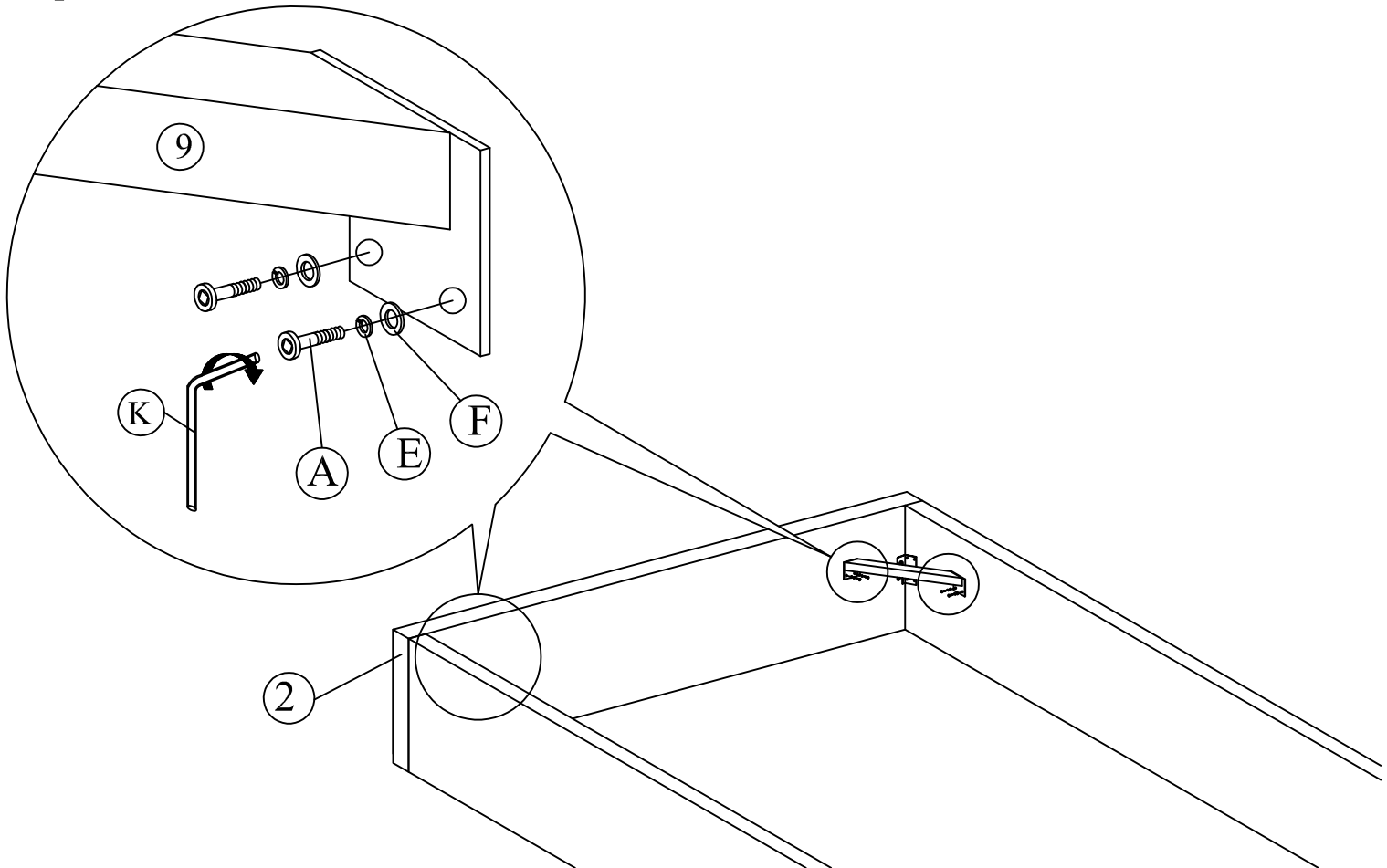


Step 9

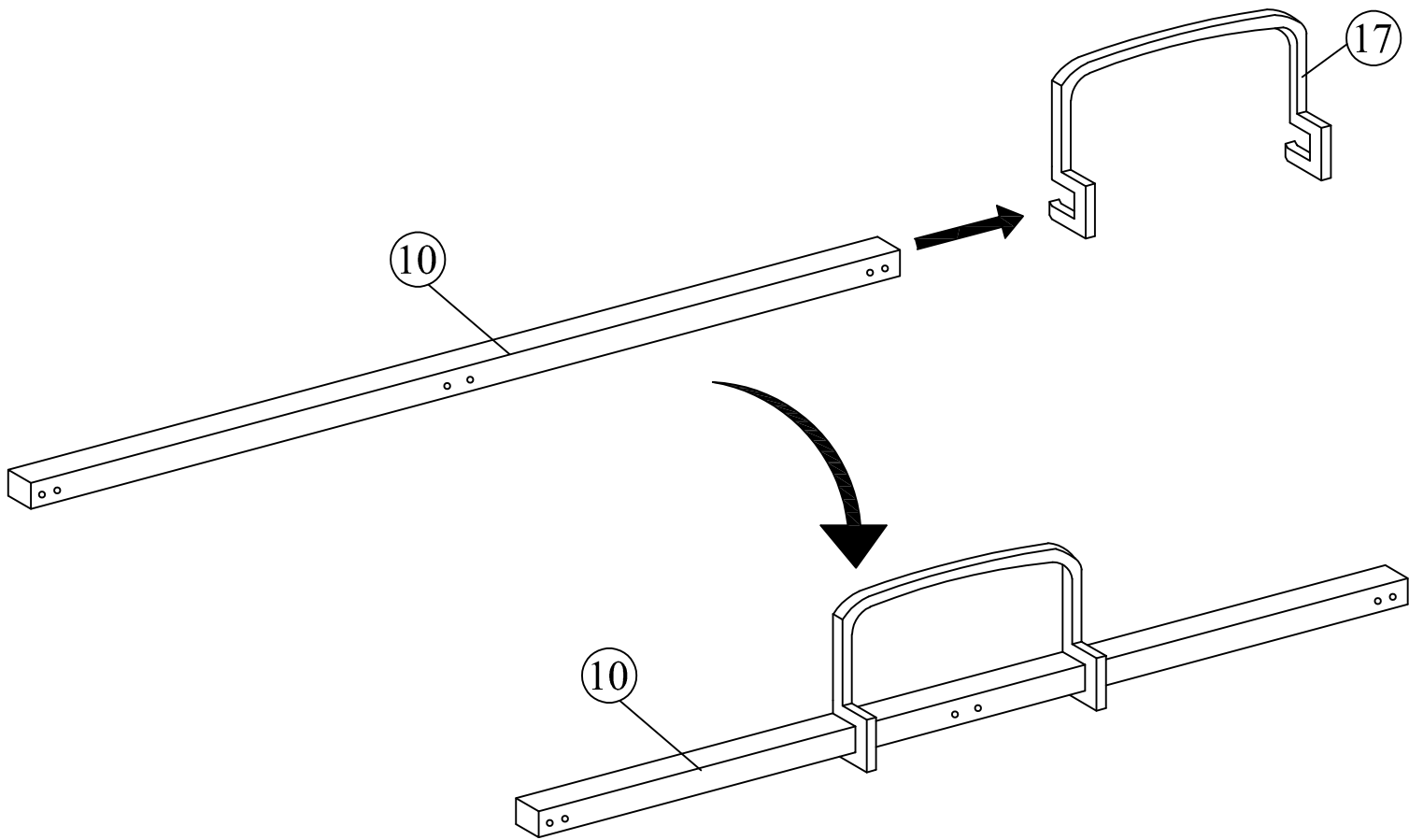
Place the non black woven at the top of bed base and attached with the velcro.



Step 10

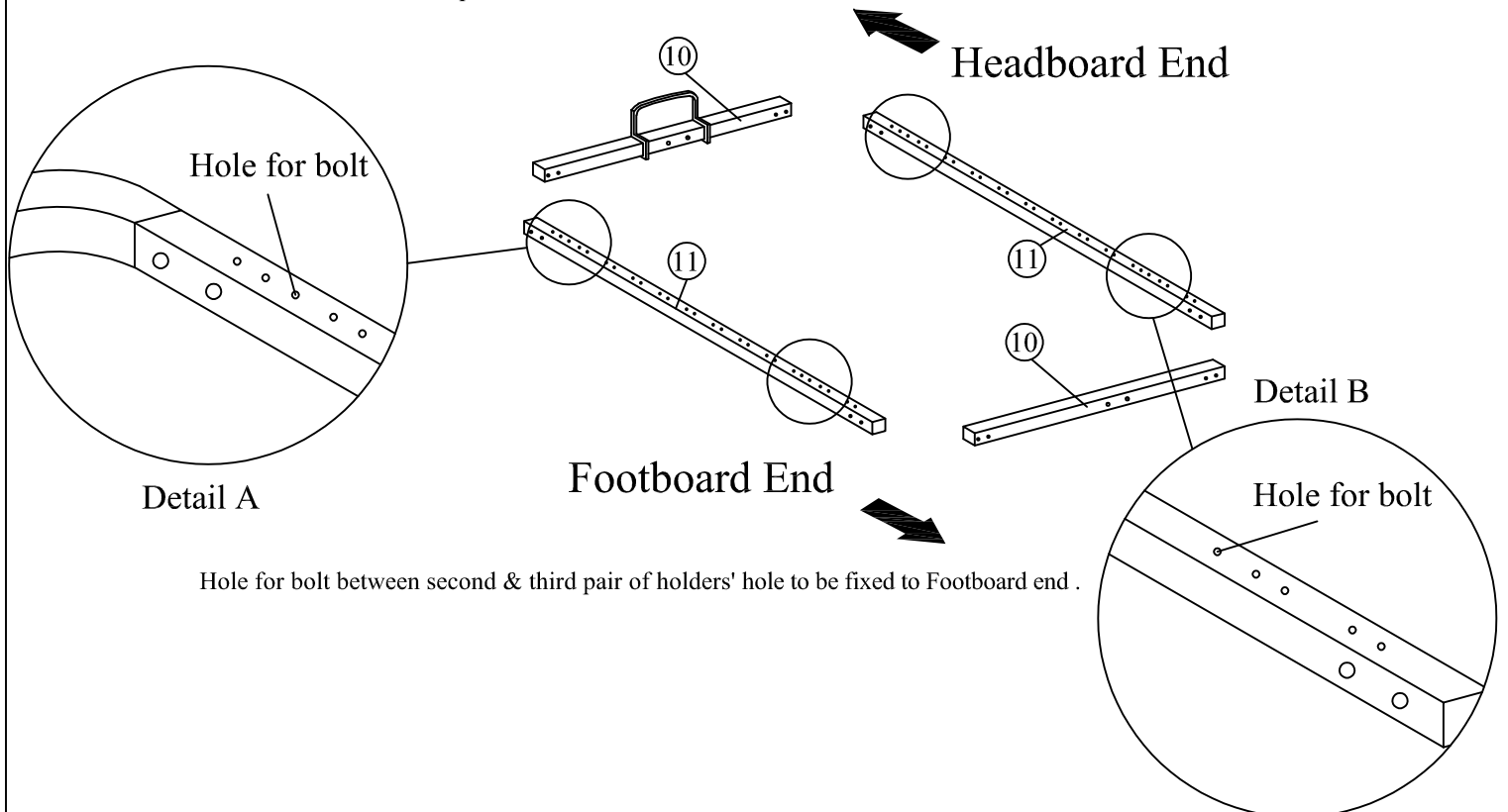


Step 11

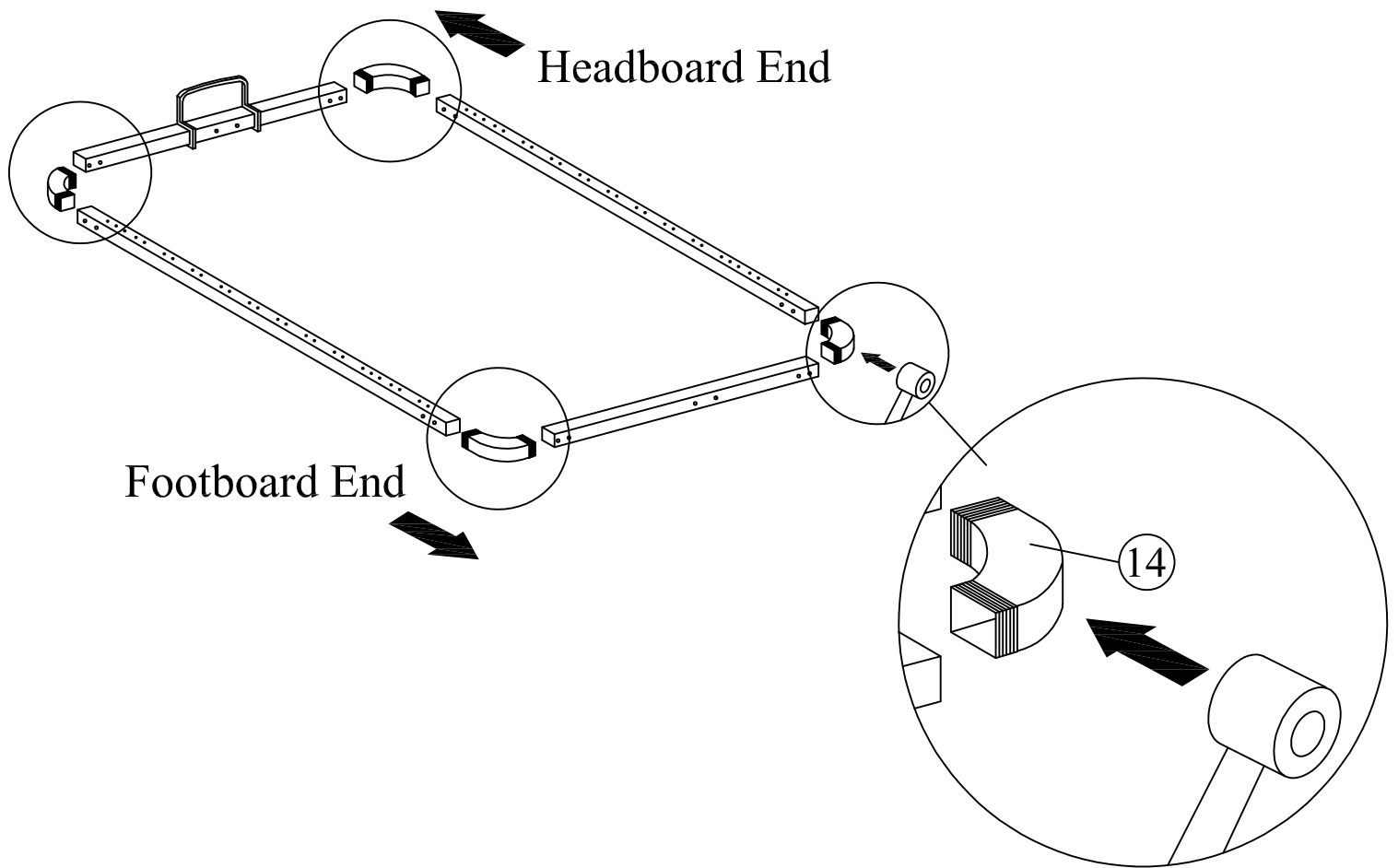


Step 12

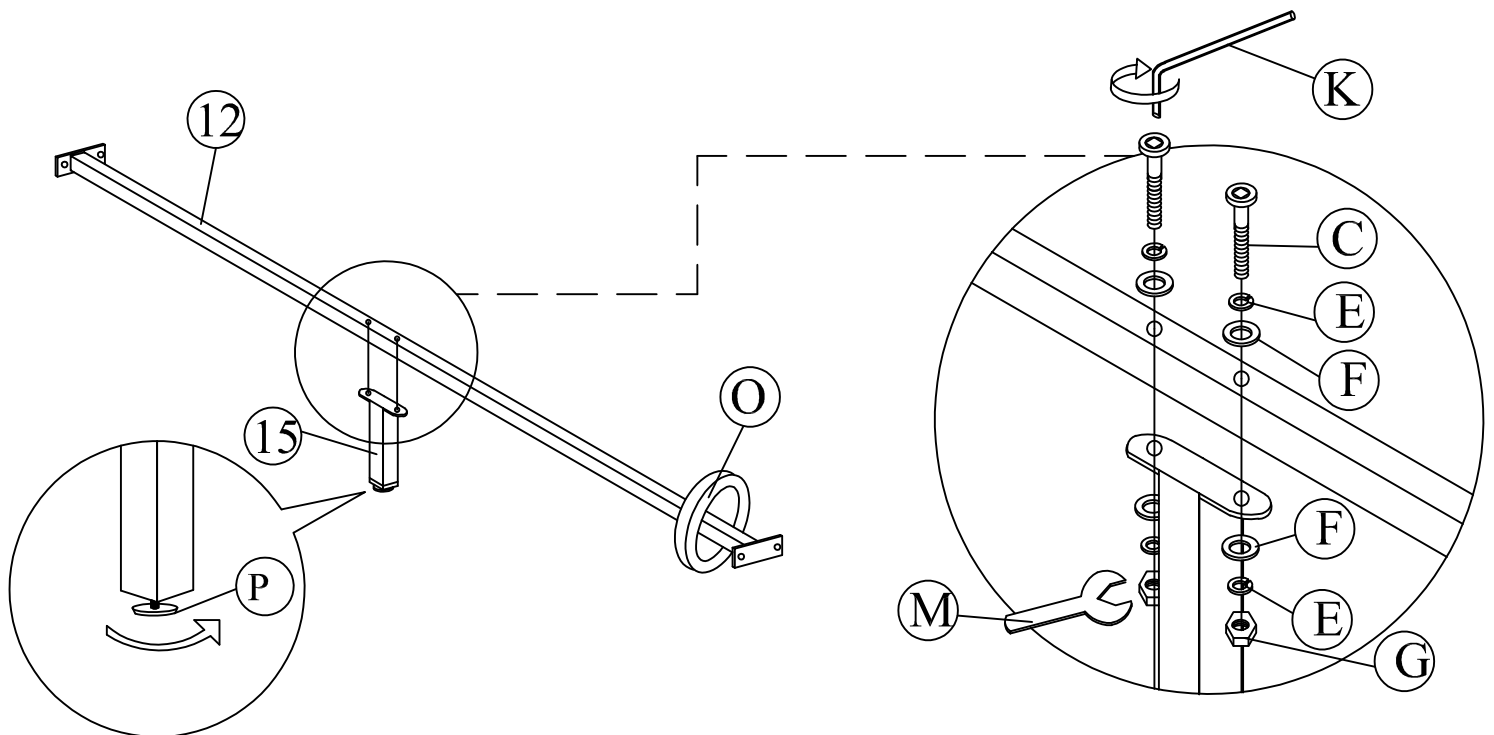
Hole for bolt between first & second pair of holders' hole to be fixed to headboard end.



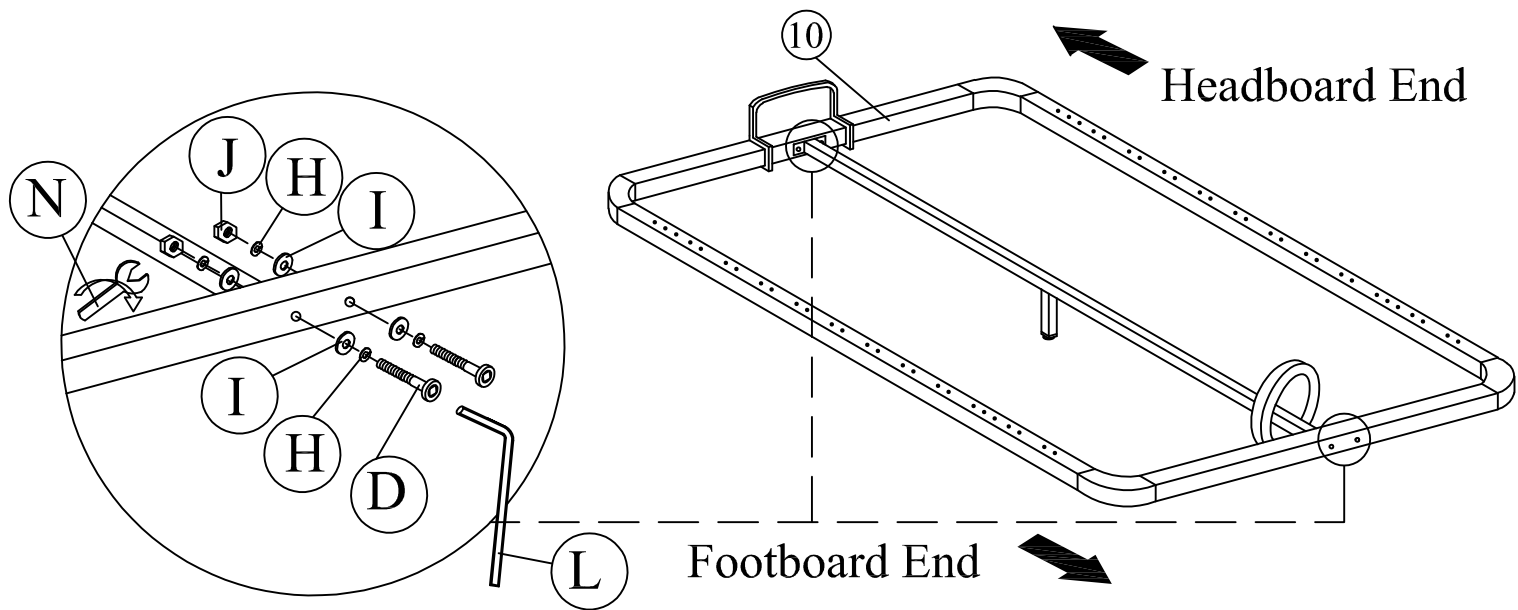
Step 13



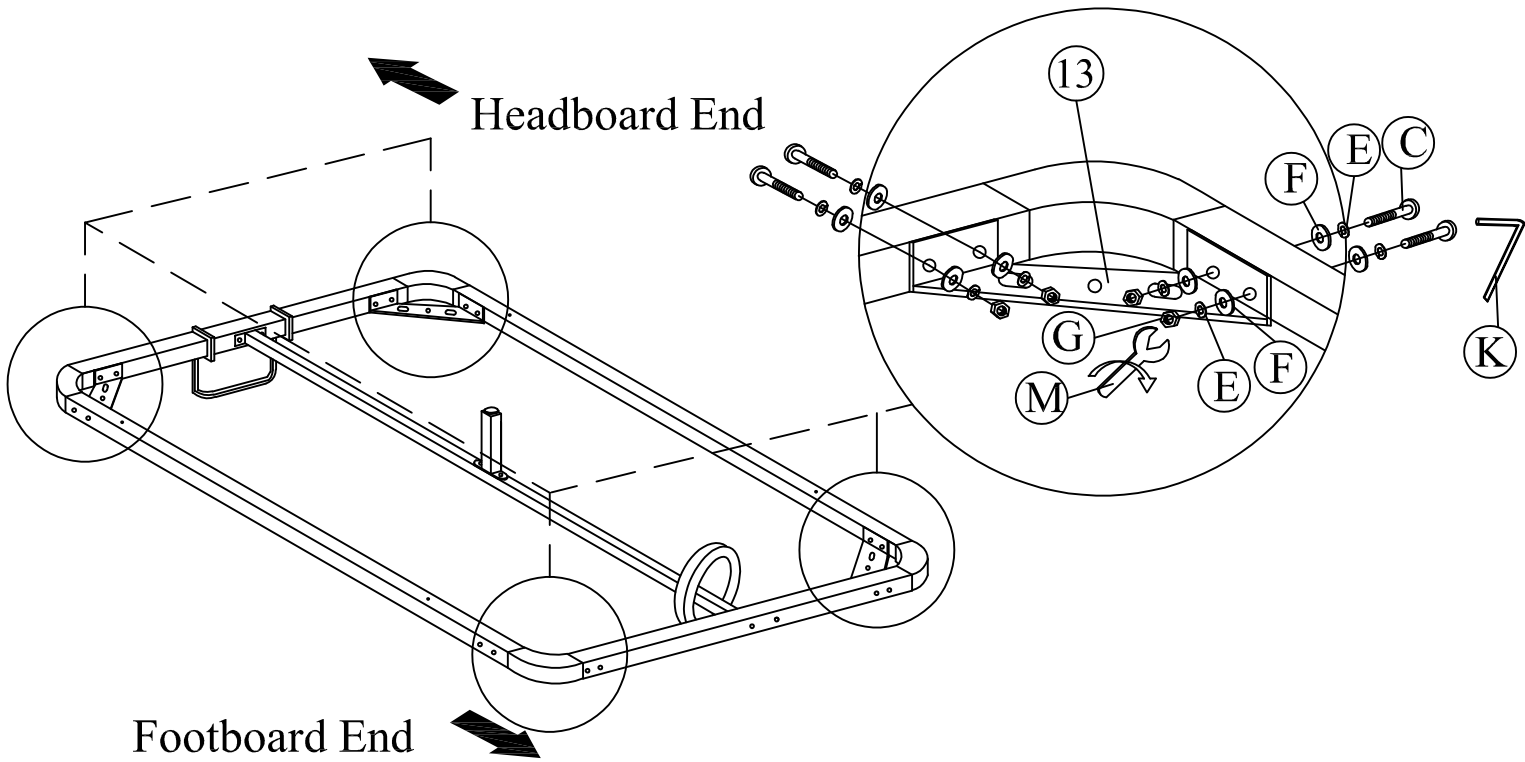
Step 14



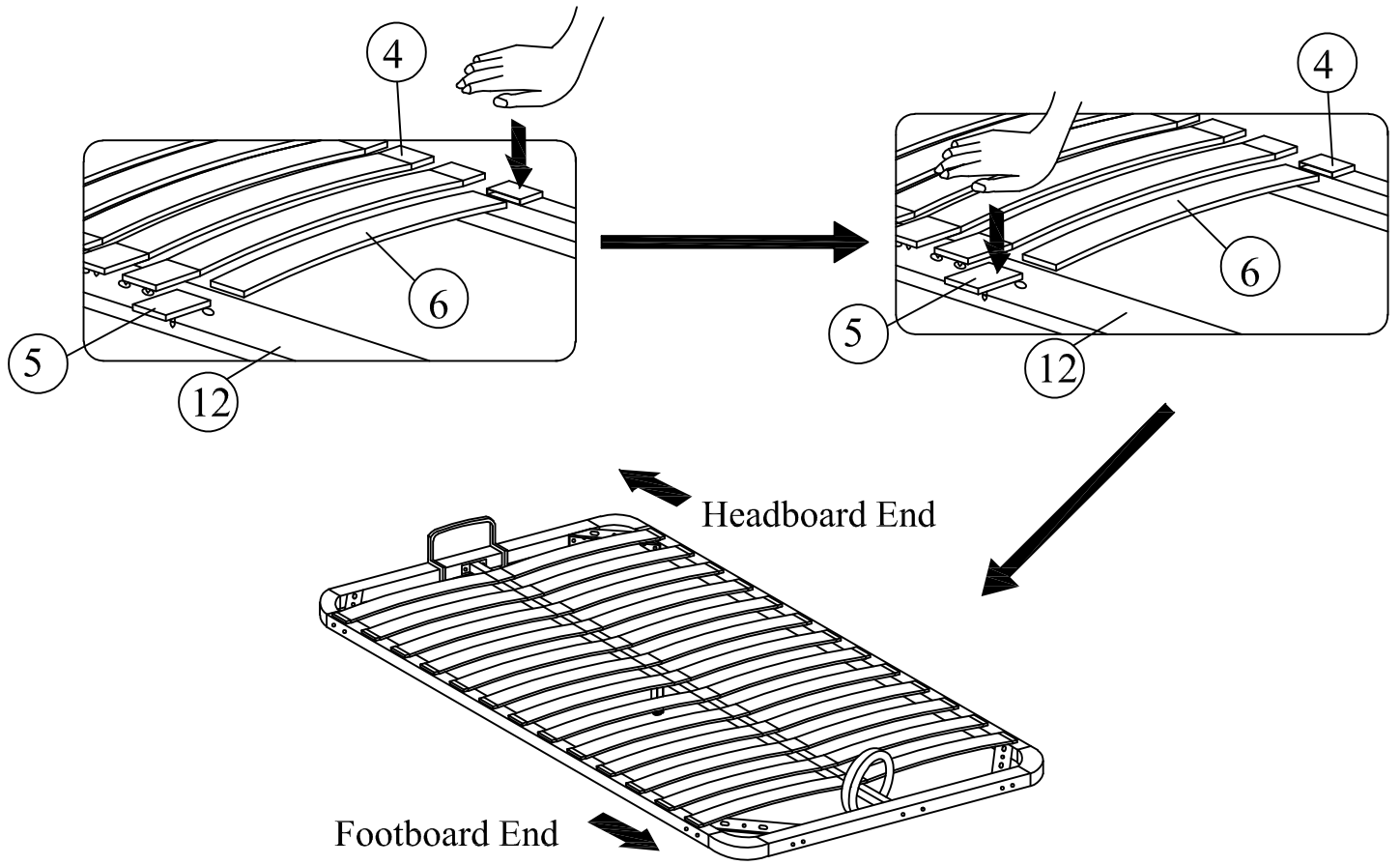
Step 15



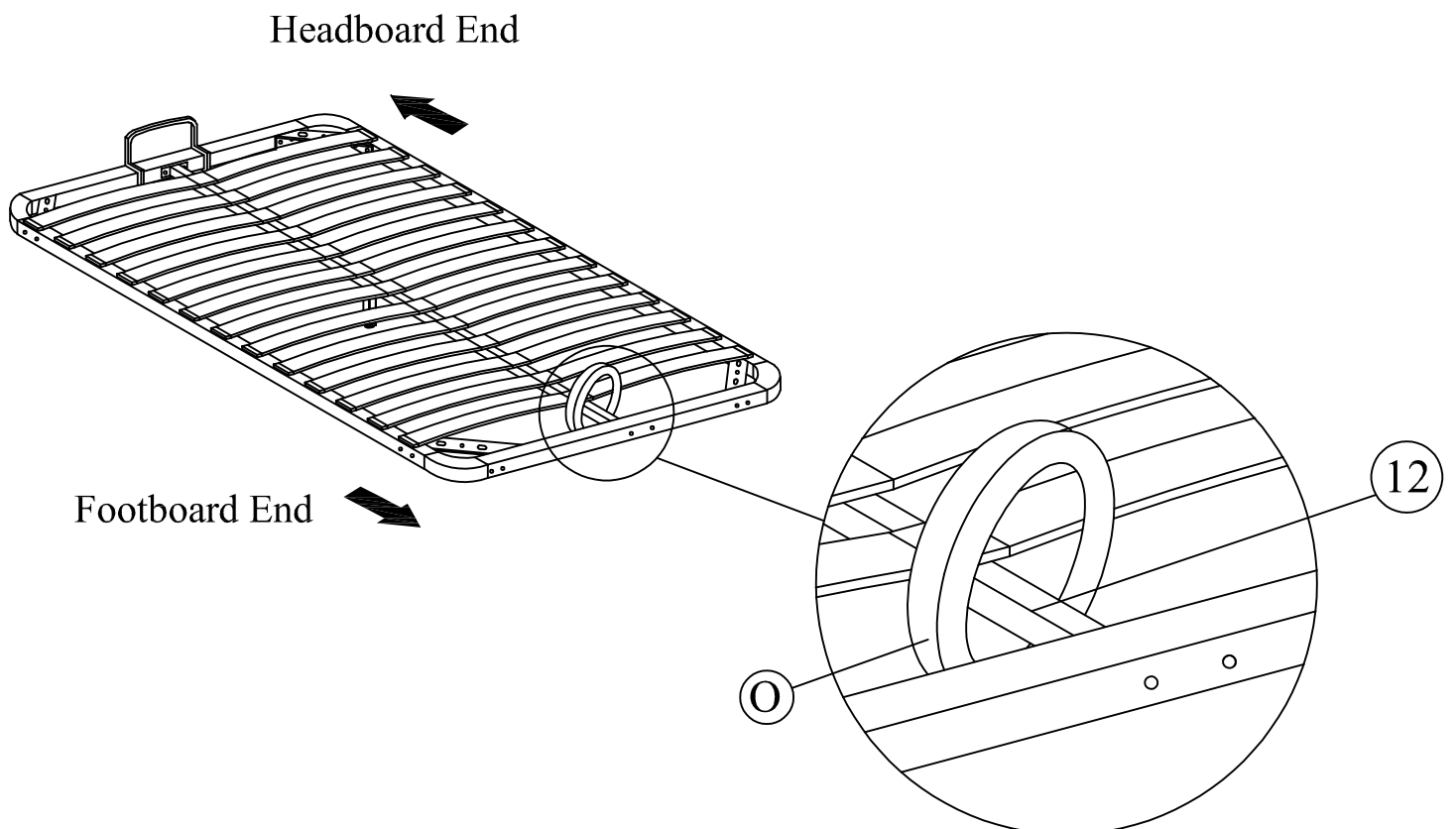
Step 16



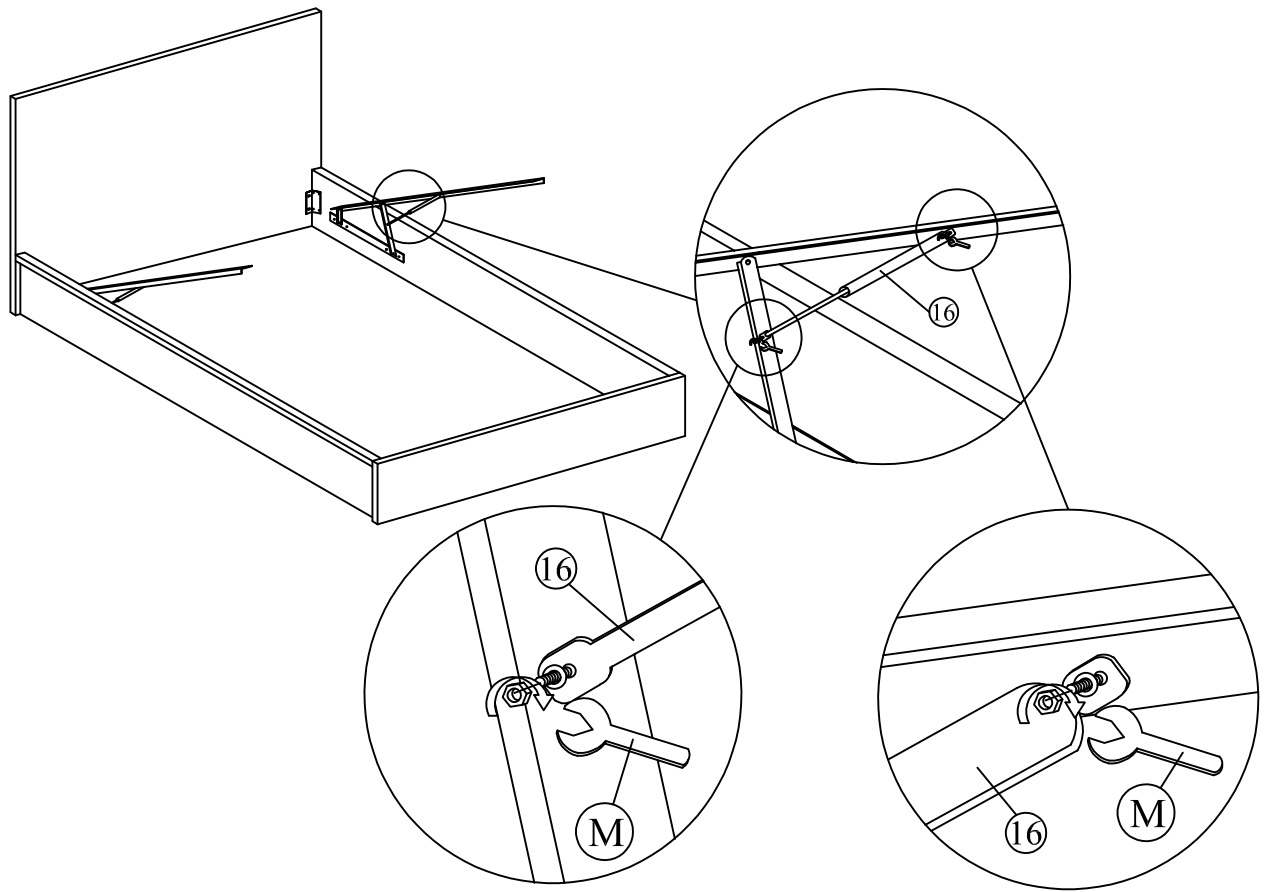
Step 17



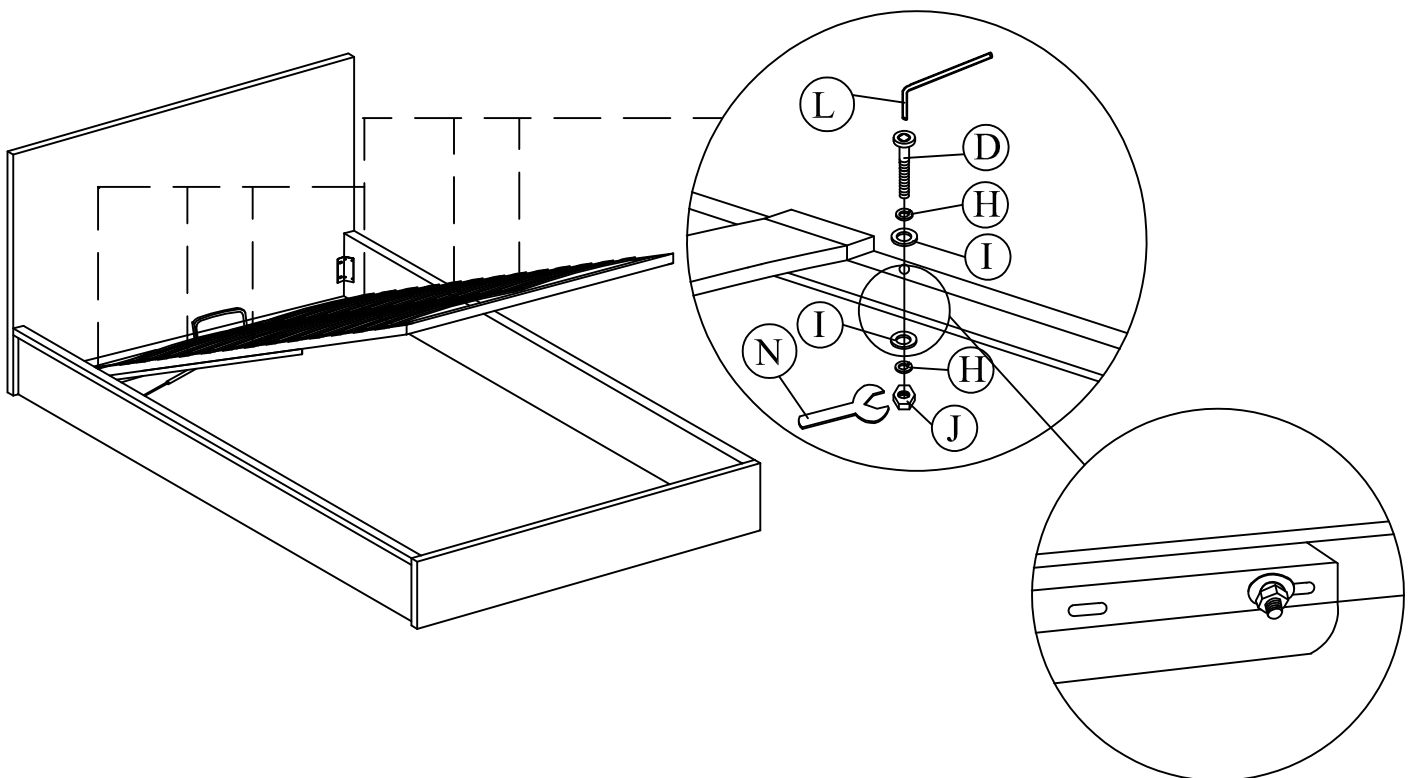
Step 18



Step 19

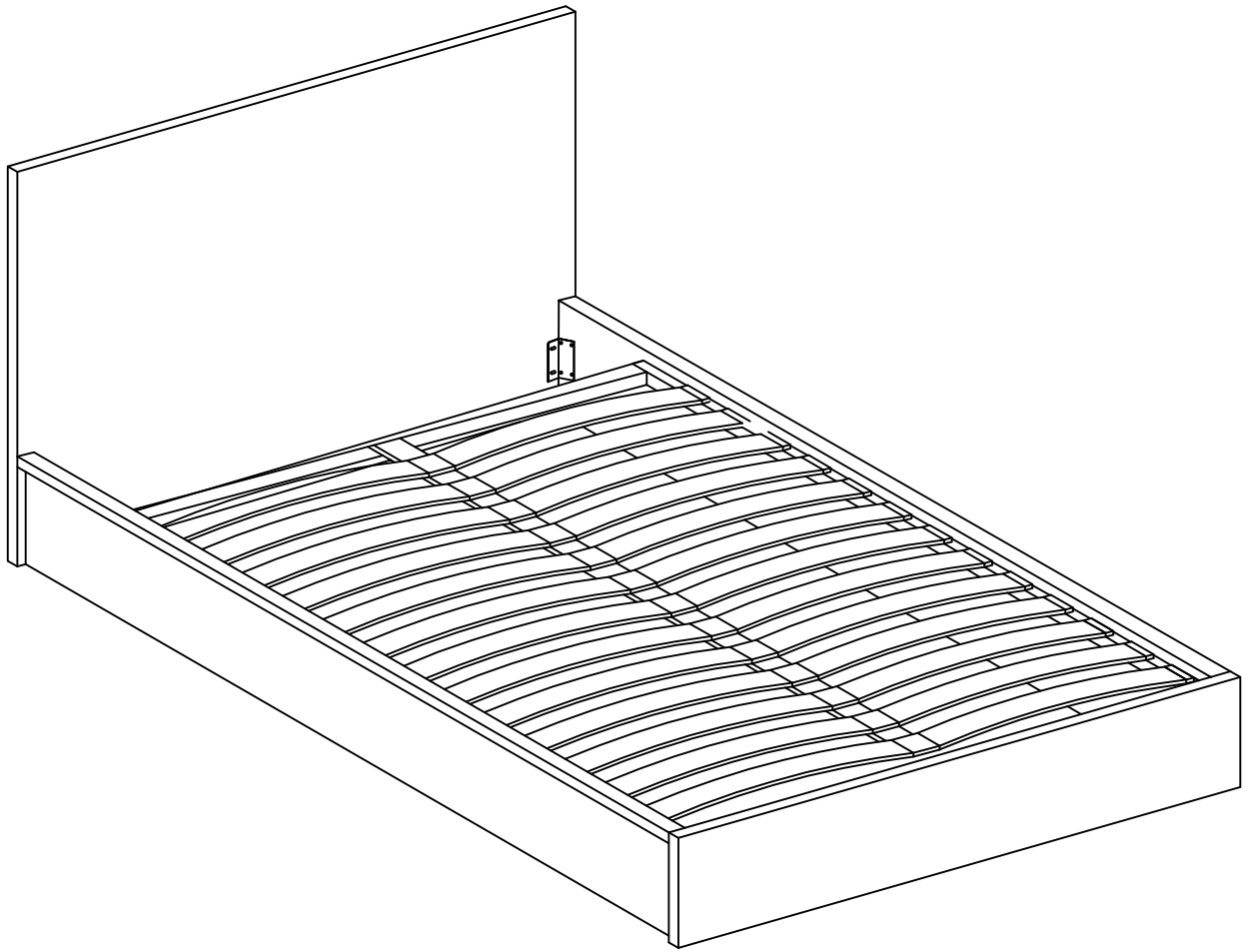


Step 20



Caution: Tighten the screw at the position of the long hole as shown!

Step 21



Additional Information:

- Caution. This bed uses a pressurised mechanism.
- Use caution when operating - Always use two hands at arm's length, and only where illustrated on the product.
- You must ensure the mattress is on the bed frame before lifting the mechanism - Failure to do so may result in injury.
- Please ensure Children and pets are kept away from the bed when operating the bed mechanism.
- If removing the mattress, make sure that the frame is secured as it could flip open.
- Only use the storage compartment when the frame is fully raised in the 'up' position.
- No children and animals are left unattended when the frame is in the 'up' position.
- Do not remain on the bed whilst the lifting mechanism is in use.
- Beware of Entrapment - Keep both hands clear of mechanism when operating the mechanism.
- When lifting the bed remove all bedding - Except the fitted sheet.

